

Industrial 3D printing yields success on the Formula Student circuits

The GreenTeam and Renishaw - a premium sponsor - have collaborated to develop and manufacture optimised wheel carriers for a Formula Student racing car, reducing the overall weight of the car by 1.5 kg and making it their lightest vehicle to date.

Complex geometry capability

- Thin walls
- Internal features

Smart manufacturing

- Only build material where it is needed for optimal weight reduction
- Design improvements right up to production

Your production solution

- Not constrained by traditional manufacturing rules
- Design optimisation for your personal requirements, whether weight reduction, complex part manufacture or both.

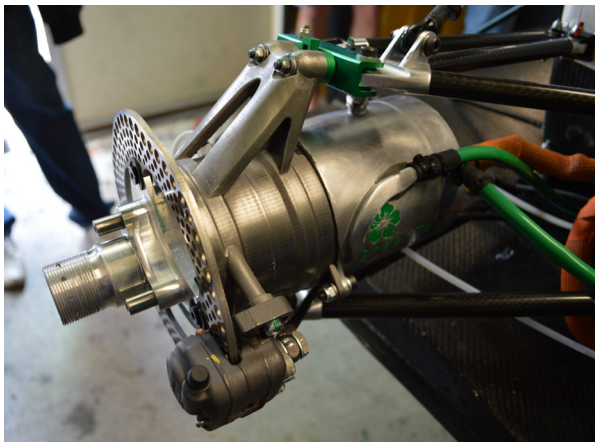
What could Renishaw do for your products?



The University of Stuttgart's Formula Student race car with additively manufactured wheel carriers

Formula student

Formula Student is an international student design competition that was initiated in the USA in 1981 by the Society of Automotive Engineers (SAE), and has been held in Europe since 1998. The fiercely competitive international competitions take place on race tracks in Europe, the USA and Asia, and each team decides individually in which competitions it would like to take part. The best-known competition is Formula Student Germany in Hockenheim, which attracts the most successful teams from all the nations of the world. Apart from performance on the track, Formula Student is also a chance to assess the engineering performance of the students, the costs of the car and a marketing strategy for the racing car of a fictitious investor (Source: GreenTeam Stuttgart).



Optimised wheel carriers in a titanium alloy made via Renishaw's additive manufacturing process saved a total of 1.5 kg in vehicle weight.

Engineering and design process

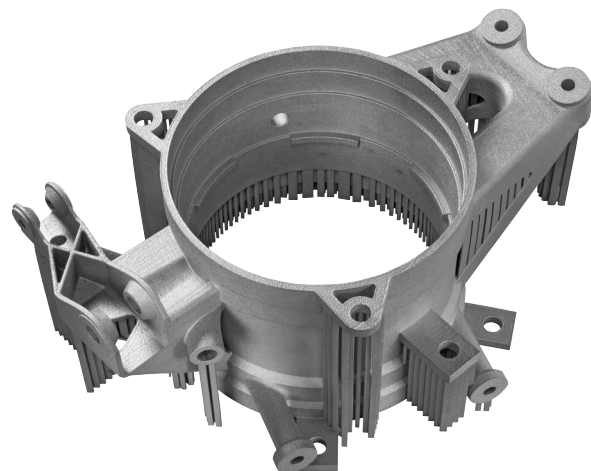
The GreenTeam's electric racing car was designed and built by students studying mechanical engineering, automotive and motor engineering, and electrical engineering at the university of Stuttgart. Today, more than 110 teams with electric motors and more than 600 teams with internal combustion engines from all over the world compete in Formula Student, which launched in the early Eighties, making it an international event to be taken seriously. With motor powers of up to 100 kW (130 bhp) and maximum speeds of up to 80 mph (130 km/h), this student version of Formula 1 demands the very best that modern engineering can offer. In addition to engine power or traction control, the weight of the vehicle also makes a significant contribution to performance on the track. In spite of relatively heavy batteries, the GreenTeam single-seater, equipped with four independently controllable electric motors, is lightweight at 178 kg in total.

Apart from the use of composite materials for the body, weight reduction has also been made possible through intelligent lightweight construction of the chassis. "Lightweight construction with metal components is not all that simple", explained Benedikt Bauersachs, the GreenTeam's complete vehicle engineering manager, "because these components are exposed to high stresses and forces on the racing track, which means that detailed FEA calculations and simulations are necessary."

The GreenTeam initially opted for aluminium wheel carriers, but it soon became clear that only a combination of a force-optimised design with less material, and a light material with a very high tensile strength, such as titanium, could further reduce the weight of the wheel carrier.

Compared with previous aluminium wheel carriers, Renishaw was able to save a total of 1.5 kg in vehicle weight, enabling the lightest vehicle so far.

Renishaw GmbH (Germany)



Renishaw's additive manufacturing technology allows more complex component geometries in metal. The vertical supports for the overhangs, typical for this method, can easily be removed on completion.

A solution in additive manufacturing

Titanium alloy is a wise material choice when you need lightweight, high strength and corrosion resistant components, however titanium is notoriously difficult to machine and cast. The Green Team found it hard to find a sponsor able to manufacture the optimised wheel carrier design using conventional methods. With its metal powder-based additive manufacturing system, capable of producing complex component geometries, Renishaw became the new premium GreenTeam sponsor.

Support structures

Support structures are necessary for the majority of additive manufacturing builds. They anchor the build and dissipate heat, allowing overhanging parts of the structure to be built up layer-by-layer. The wheel carriers were additively built using Renishaw's AM250 additive manufacturing system using minimal supports, which are easily removed post build.

The need for support structures may seem wasteful, however in traditional subtractive machining the ratio of material needed to produce a finished part such as this can be as high as 19:1. With additive manufacturing that ratio is closer to 1:1, in this case 1.12:1.

Solution partner

Renishaw provides a design review service to anyone considering Renishaw's laser melting systems as a production solution. Your component or assembly will be reviewed by Renishaw's applications engineers who can make recommendations on DfM (Design for Manufacture), digitally process the model, and build a sample component using one of its on-site AM250 systems. A pre-build report, inspection report, and component price estimate can also be provided on request.

For more information about Renishaw's full range of additive manufacturing solutions, please visit

www.renishaw.com/additive

About Renishaw

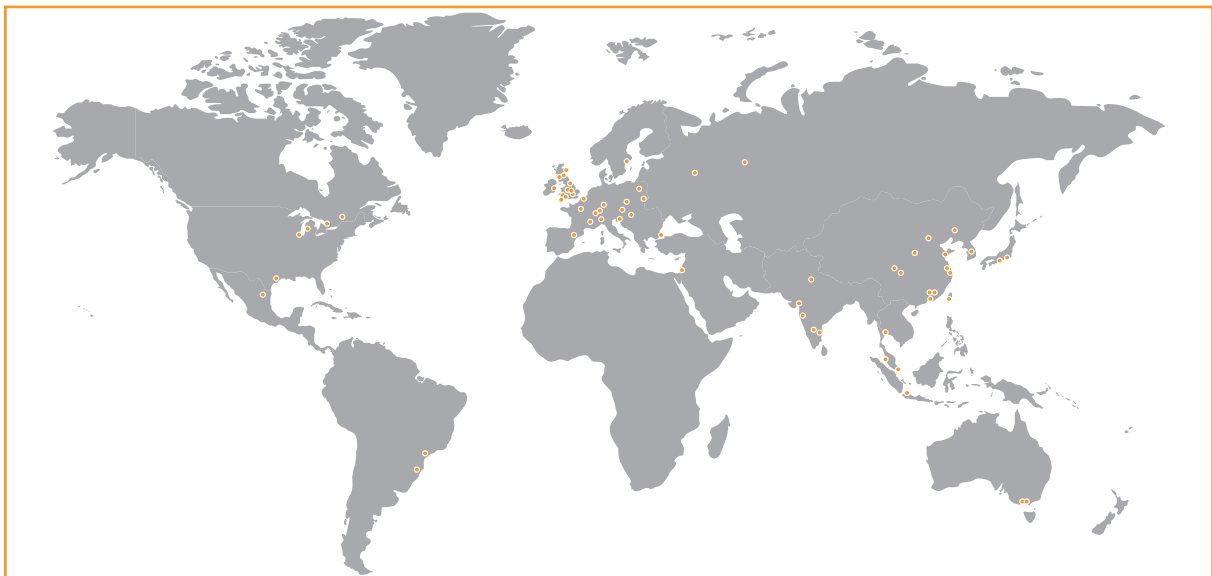
Renishaw is an established world leader in engineering technologies, with a strong history of innovation in product development and manufacturing. Since its formation in 1973, the company has supplied leading-edge products that increase process productivity, improve product quality and deliver cost-effective automation solutions.

A worldwide network of subsidiary companies and distributors provides exceptional service and support for its customers.

Products include:

- Additive manufacturing and vacuum casting technologies for design, prototyping, and production applications
- Dental CAD/CAM scanning systems and supply of dental structures
- Encoder systems for high accuracy linear, angle and rotary position feedback
- Fixturing for CMMs (co-ordinate measuring machines) and gauging systems
- Gauging systems for comparative measurement of machined parts
- High speed laser measurement and surveying systems for use in extreme environments
- Laser and ballbar systems for performance measurement and calibration of machines
- Medical devices for neurosurgical applications
- Probe systems and software for job set-up, tool setting and inspection on CNC machine tools
- Raman spectroscopy systems for non-destructive material analysis
- Sensor systems and software for measurement on CMMs
- Styli for CMM and machine tool probe applications

For worldwide contact details, visit www.renishaw.com/contact



RENISHAW HAS MADE CONSIDERABLE EFFORTS TO ENSURE THE CONTENT OF THIS DOCUMENT IS CORRECT AT THE DATE OF PUBLICATION BUT MAKES NO WARRANTIES OR REPRESENTATIONS REGARDING THE CONTENT. RENISHAW EXCLUDES LIABILITY, HOWSOEVER ARISING, FOR ANY INACCURACIES IN THIS DOCUMENT.

©2015 Renishaw plc. All rights reserved.

Renishaw reserves the right to change specifications without notice

RENISHAW and the probe symbol used in the RENISHAW logo are registered trade marks of Renishaw plc in the United Kingdom and other countries. apply innovation and names and designations of other Renishaw products and technologies are trade marks of Renishaw plc or its subsidiaries. All other brand names and product names used in this document are trade names, trade marks or registered trade marks of their respective owners.



H - 5800 - 1082 - 02 - A

Issued: 0415 Part no. H-5800-1082-02-A